

ARMINIK-PIR-1715LV

A PIR sensor for low voltage LED luminaires and power supplies to detect the motions. The light is on when people are nearby. The light is off when people are gone.

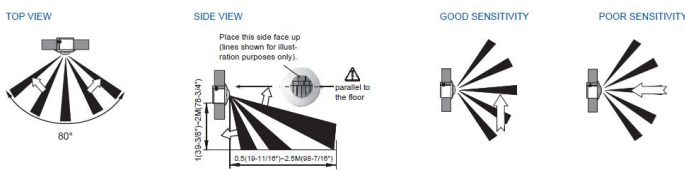
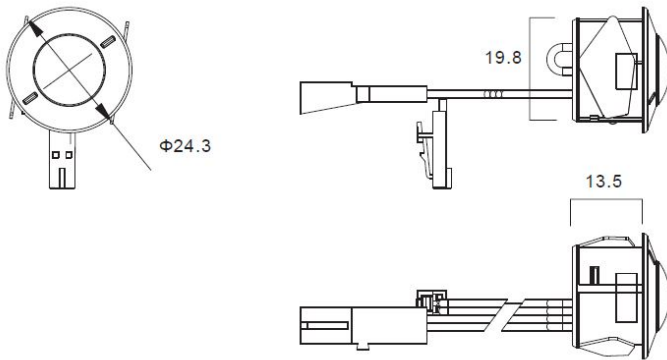
Tech Specs:

- Rated input voltage: 12/24V
- Rated output voltage: 12/24V
- Rated load: 18/36W
- Standby power: <0.2W
- Detection range: Max.2.5m(98-7/16")
- Detection angle: 80°
- Delay Time: 7S 18S 37S 56S 150S 300S 600S 1200S (optional).



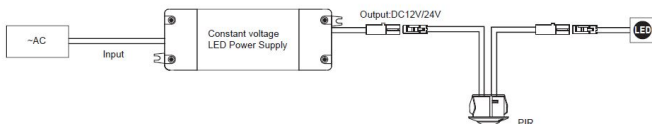
ARMINIK-PIR-1715LV

Dimensions: (mm/inches)



The detection range for the side installation:

- 1 This part should be parallel to the floor
- 2 Sensitivity: Highest
- 3 Fix position: 1-2m in height



PRODUCT FEATURES

Technical Data

Sensor Category	Motion Controller Sensor
Sensor Voltage	Low Voltage
Light Sensivity	No
Sensor Input Voltage	24
Maximum Load	18/36 W
Sensor Type	PIR Motion Sensor
Temperature Range	-20...35 °C
Delay time	7S 18S 37S 56S 150S 300S 600S 1200S Optional
Detect Angle	80 °C
Day Light Detection	No
Maximum Detection Range	2.5 m

Dimensions and Weight

Width	40 mm
Height	12 mm
Length	70 mm